



Z11 Server Installation Guide

Document Version 0.1

Mar. 2019

© Copyright Bitmaintech Pte.Ltd. 2007 – 2019. All rights reserved.

Bitmaintech Pte.Ltd. (Bitmain) reserves the right to make corrections, modifications, enhancements, improvements, and other changes to its products and services at any time and to discontinue any product or service without notice.

Customers should obtain the latest relevant information before placing orders and should verify that such information is current and complete. All products are sold subject to Bitmain's terms and conditions of sale supplied at the time of order acknowledgment.

Bitmain warrants performance of its products to the specifications applicable at the time of sale in accordance with Bitmain's standard warranty. Testing and other quality control techniques are used to the extent Bitmain deems necessary to support this warranty. Except where mandated by government requirements, testing of all parameters of each product is not necessarily performed.

Bitmain assumes no liability for third-party applications assistance. Customers are responsible for their products and applications using Bitmain components. To minimize the risks associated with customer products and applications, customers should provide adequate design and operating safeguards.

Bitmain does not warrant or represent that any license, either express or implied, is granted under any Bitmain patent right, copyright or other Bitmain intellectual property right relating to any combination, machine, or process in which Bitmain products or services are used. Information published by Bitmain regarding third-party products or services does not constitute a license from Bitmain to use such products or services or a warranty or endorsement thereof. Use of such information may require a license from a third party under the patents or other intellectual property of the third party, or a license from Bitmain under the patents or other intellectual property of Bitmain.

Resale of Bitmain products or services with statements different from or beyond the parameters stated by Bitmain for that product or service voids all express and any implied warranties for the associated Bitmain product or service and is an unfair and deceptive business practice. Bitmain is not responsible or liable for any such statements.

All company and brand products and service names are trademarks or registered trademarks of their respective holders.

All text and figures included in this publication are the exclusive property of Bitmaintech Pte.Ltd. (Bitmain), and may not be copied, reproduced, or used in any way without the express written permission of Bitmain. Information in this document is subject to change without notice and does not represent a commitment on the part of Bitmain. Although the information in this document has been carefully reviewed, Bitmain does not warrant it to be free of errors or omissions. Bitmain reserves the right to make corrections, updates, revisions or changes to the information in this document.

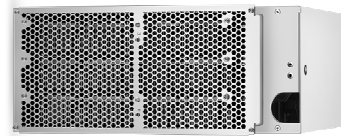
Bitmaintech Pte.Ltd.
Tel:+86-400-890-8855
www.bitmain.com

Table of Contents

1. Overview.....	4
1.1 Z11 Server Components.....	5
1.2 Connecting the Power Supply.....	6
1.3 Specifications.....	8
2. Setting Up the Server.....	10
3. Configuring the Server.....	12
4. Monitoring Your Server.....	13
5. Administering Your Server.....	14
5.1 Checking Your Firmware Version.....	14
5.2 Upgrading Your System.....	14
5.3 Modifying Your Password.....	15
5.4 Restoring Initial Settings.....	15
Regulations.....	16

1. Overview

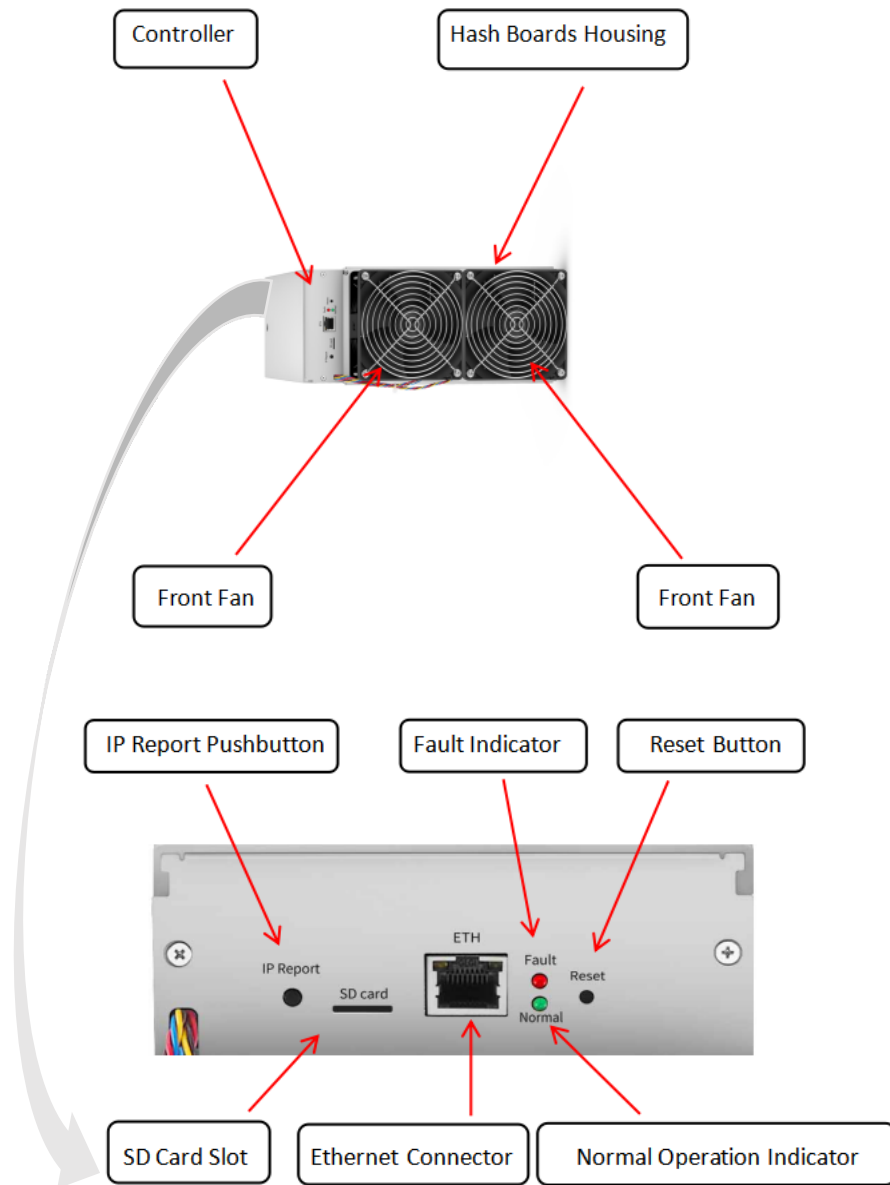
The Z11 server is Bitmain's newest version in the Z11 server series. All Z11 servers are tested and configured prior to shipping to ensure easy set up.

**Caution:**

- 1.The socket-outlet shall be installed near the equipment and shall be easily accessible.
2. You must provide your own ATX power supply.
3. The material of power cord shall be insulated with PVC, TFE, PTFE, FEP, polychloroprene or polyimide.
4. When press the reset button, the server will adjust the frequency automatically to seek the maximum hashrate. The whole process will last for 10 to 20 minutes.
5. Please refer to the layout above to place your goods in usage in case of any damage.

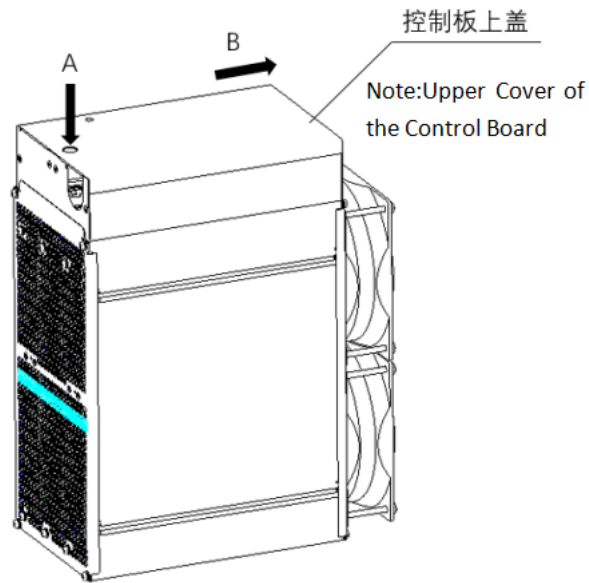
1.1 Z11 Server Components

The main components and controller front panel of Z11 server are shown in the following figure:

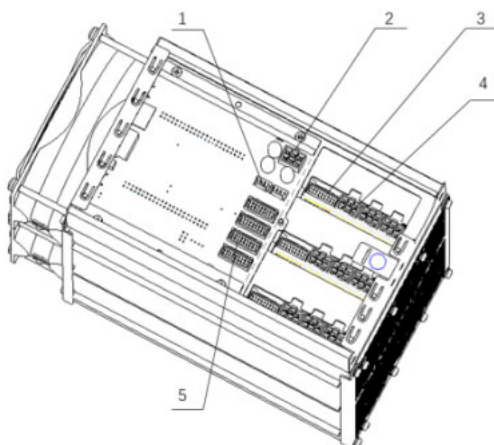


1.2 Connecting the Power Supply

1.Press down on the button at the direction indicated by arrow A, and slide the upper cover of the control board along the direction indicated by arrow B after the button is pressed in place.

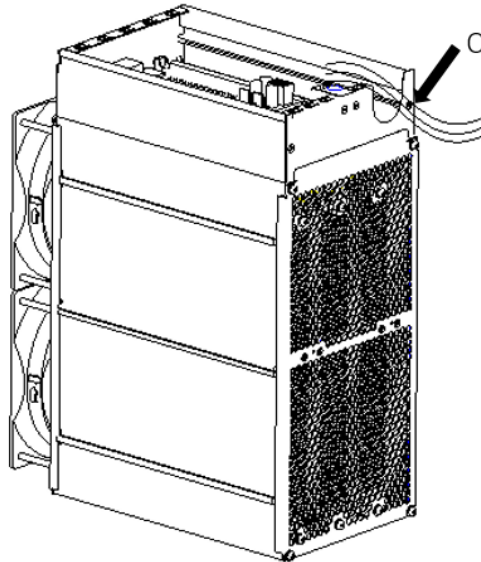


2.The position and name of the socket after sliding the upper cover of the control board are as shown below.

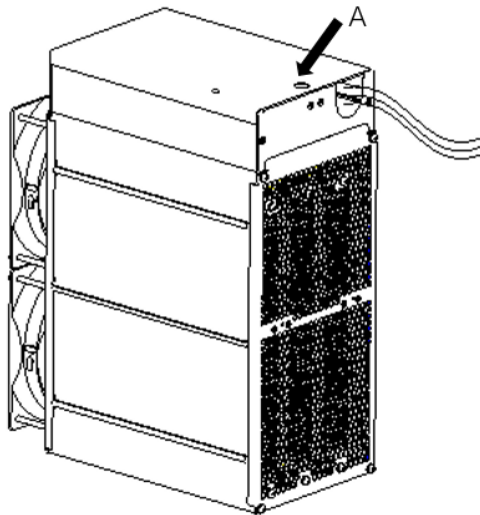


No.	Name	Quantity
1	Fan Socket	2
2	Main control Board PSU Socket	1
3	Hashboard Signal Socket	3
4	Hashboard PSU Socket	9
5	Main control Board Signal Socket	4

3.Connect the power supply to the corresponding socket of the server, then tie the cables at the position indicated by arrow C and place all the cables into the U-shaped hole.



4. Push the upper cover of the main control board back into place and ensure that the button indicated by arrow A is stuck in place.



1.3 Specifications

Model No.: 240-Z

Version: Z11

Product Glance	Value		
Model No.	240-Z		
Crypto Algorithm/Coins	EquiHash/Zcash		
Hashrate, KSol/s	135		
Reference power on wall, Watt	1418		
Reference power efficiency on wall @25°C, J/Ksol	10.50		
Adapted AC/DC output requirement, Watt/ Volt	1729/ 12.00		
Detailed Characteristics	Value		
	Min	Typ	Max
Hashrate & Power			
Hashrate, KSol/s		135	142
Power efficiency on wall @25°C, J/KSol ⁽¹⁻¹⁾	10.50		11.24
Power efficiency on wall @40°C, J/KSol ⁽¹⁻²⁾	11.01		11.78
Reference power on wall, Watt ⁽¹⁻³⁾	1418		1673
DC input voltage range, Volt ⁽¹⁻⁴⁾	11.60	12.00	13.00
DC input current range, Amp ⁽¹⁻⁵⁾		109.90	134.13
Adapted AC/DC output power requirement, Watt ⁽¹⁻⁶⁾	1556	1729	
Hardware Configuration			

Quantity of hash chips	9		
Quantity of hash boards	3		
Networking connection mode	RJ45 ethernet 10/100M		
Server Size (Length*Width*Height, w/o package), mm ⁽²⁻¹⁾	242*134*302		
Net weight, kg ⁽²⁻²⁾	5.40		
Noise, dBA @25°C ⁽³⁻¹⁾			70
Environment Requirements			
Operation temperature,°C	0	25	40
Storage temperature,°C	-40	25	85
Operation humidity, RH	5%		95%

Notes:


- (1-1) Refers PSU power conversion efficiency of 93%.
- (1-2) Refers PSU power conversion efficiency of 93%.
- (1-3) Min condition: 25°C, min J/KSol, typical hashrate.
Max condition: 40°C, max J/KSol, max hashrate.
Refers PSU power conversion efficiency of 93%.
- (1-4) **Caution: Wrong input voltage may probably cause server damaged.**
- (1-5) Typ condition: min reference power, typical DC input voltage.
Max condition: max reference power, min DC input voltage.
- (1-6) Min condition: 40°C, max J/KSol, max hashrate,
PSU output power should be no less than the min value to make sure mining stable.
Typical condition: (typical power) = (min power)/90%, leave power output margin for PSU.
Caution: It is strongly recommended that using typical power can make sure your server can work well.
You can use one PSU to power multiple boards. Do not attempt to power one board with more than one PSU.
All PCI-E ports are required to plug in while powering up the board.
- (2-1) Domestic and international version.
- (2-2) Domestic and international version.
- (3-1) Max condition: Fan is under max RPM(rotation per minute).

2. Setting Up the Server

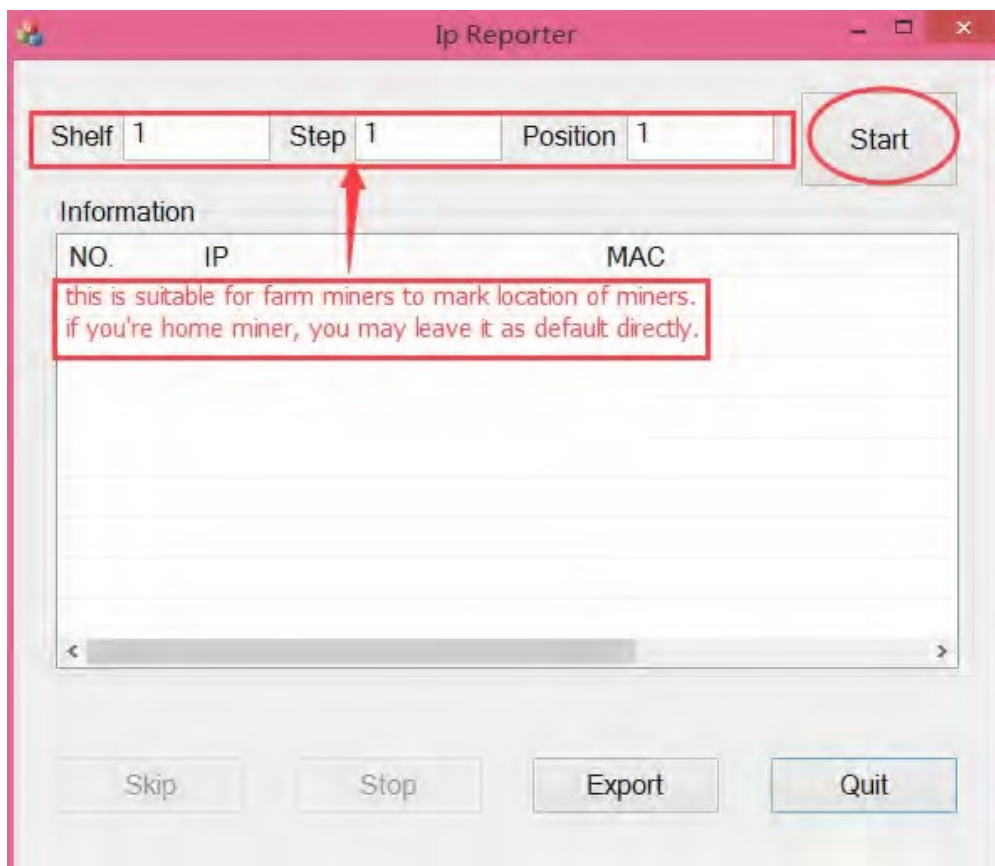
To set up the server:

 The file IPReporter.zip is supported by Microsoft Windows only.

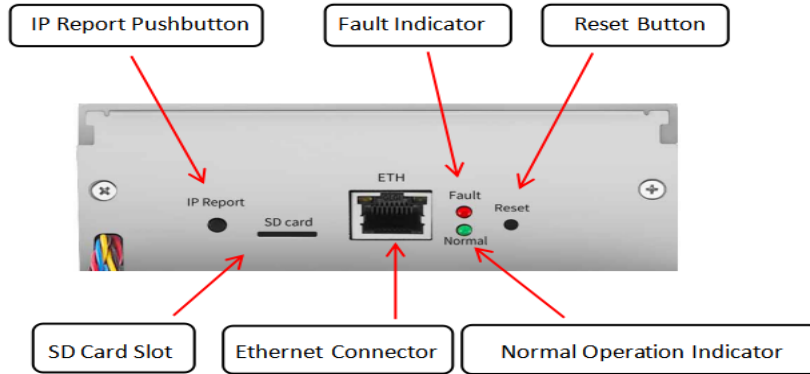
1. Go to the following site:
<https://shop.bitmain.com/support.htm?pid=00720160906053730999PVD2K0vz0693>
2. Download the following file: IPReporter.zip
3. Extract the file.

 The default DHCP network protocol distributes IP addresses automatically.

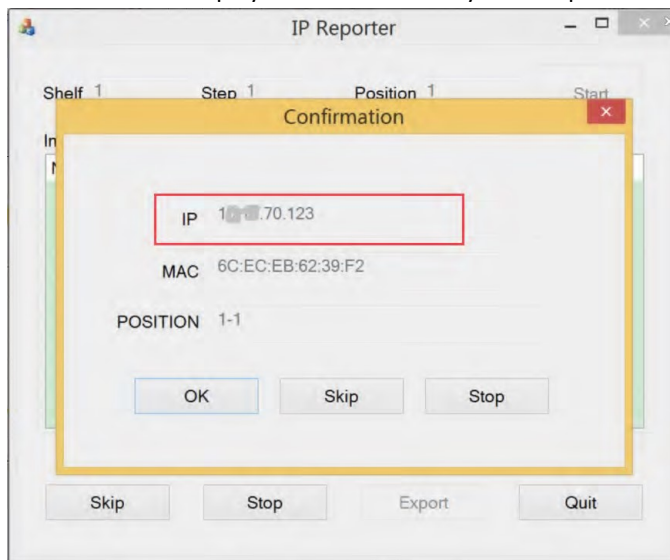
4. Right-click **IPReporter.exe** and run it as Administrator.
5. Select one of the following options:
 - Shelf, Step, Position – suitable for farm servers to mark the location of the servers.
 - Default – suitable for home servers.
6. Click **Start**.



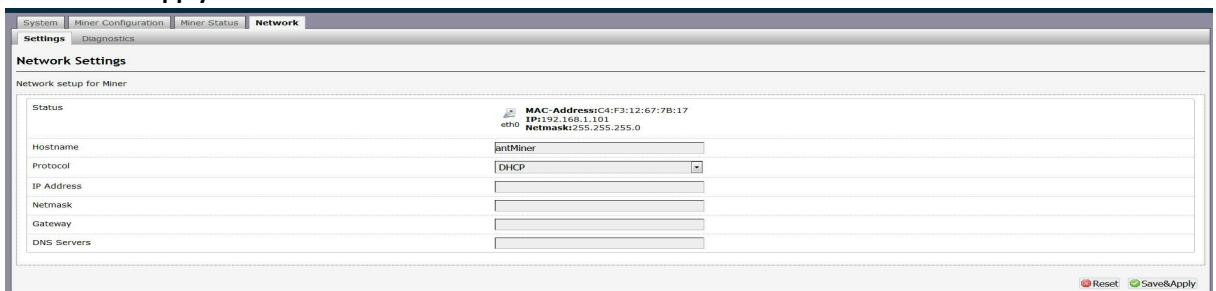
- On the controller board, click the IP Report button. Hold it down until it beeps (about 5 seconds).



The IP address will be displayed in a window on your computer screen.



- In your web browser, enter the IP address provided.
- Proceed to login using root for both the username and password.
- In the Network section, you can assign a DHCP IP address (optional).
- Click **Save & Apply**.

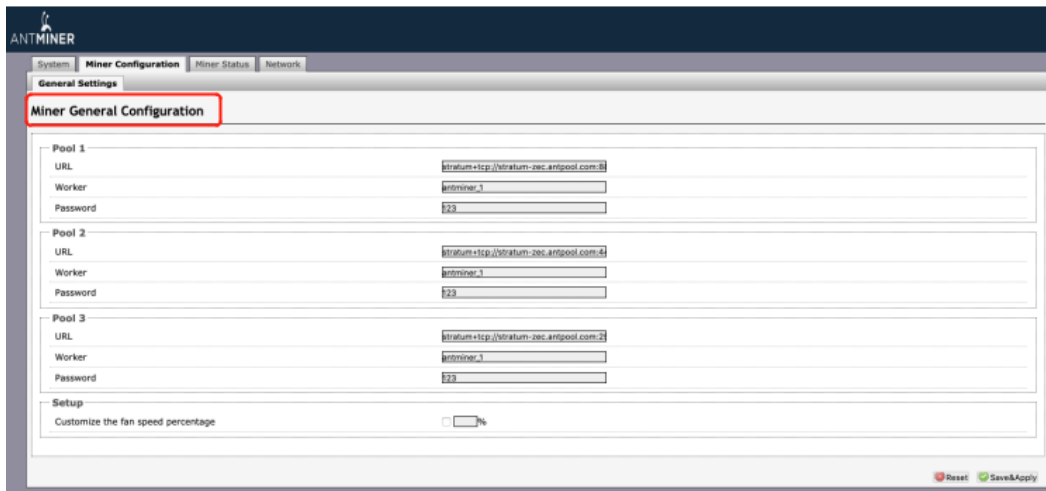



3. Configuring the Server

Setting Up the Pool


To configure the server:

1. click **General Settings**.



 Note: Fan speed can be adjusted , but we recommend keeping the default setting.

2. Set the options according to the following table:

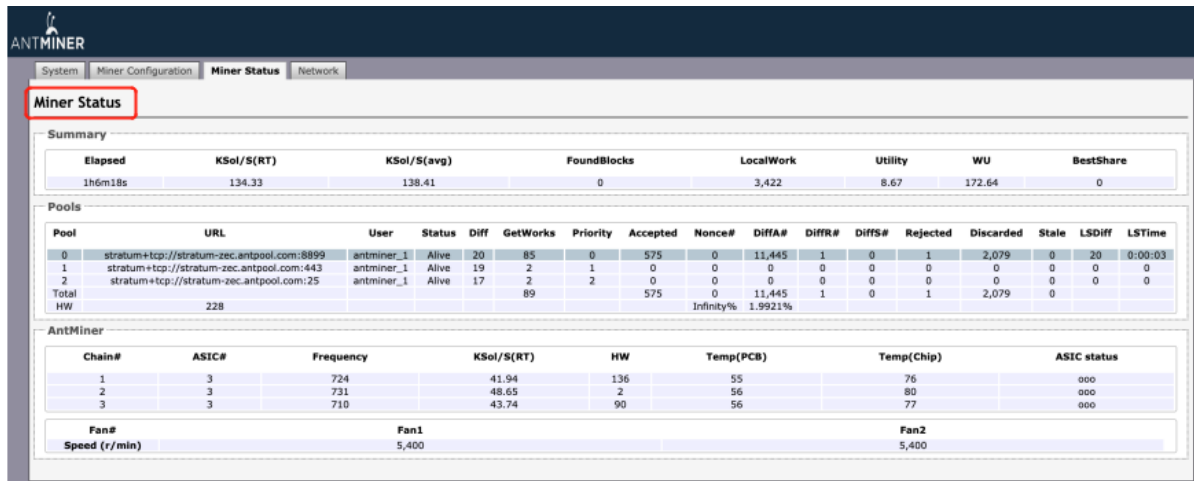
Option	Description
Pool URL	Enter the URL of your desired pool. <div style="border: 1px solid black; padding: 10px; margin-top: 10px;">  <p>The Z11 server can be set up with three mining pools, with decreasing priority from the first pool (pool 1) to the third pool (pool 3). The pools with low priority will only be used if all higher priority pools are offline.</p> </div>
Worker	Your worker ID on the selected pool.
Password	The password for your selected worker.

3. Click **Save & Apply** to save and restart the server.

4. Monitoring Your server

To check the operating status of your server:

1. Click the status marked below.



The screenshot shows the AntMiner web interface with the 'Miner Status' tab selected. The 'Miner Status' tab is highlighted with a red box. The interface displays a summary of mining performance, a list of pools, and detailed hardware information for the AntMiner units.

Elapsed	KSol/S(RT)	KSol/S(avg)	FoundBlocks	LocalWork	Utility	WU	BestShare
1h6m18s	134.33	138.41	0	3,422	8.67	172.64	0

Pool	URL	User	Status	Diff	GetWorks	Priority	Accepted	Nonce#	DIFFA#	DIFFR#	DIFFS#	Rejected	Discarded	Stale	LSDiff	LSTime
0	stratum+tcp://stratum-zec.antpool.com:8999	antminer_1	Alive	20	85	0	575	0	11,445	1	0	1	2,079	0	20	0:00:03
1	stratum+tcp://stratum-zec.antpool.com:443	antminer_1	Alive	19	2	1	0	0	0	0	0	0	0	0	0	0
2	stratum+tcp://stratum-zec.antpool.com:25	antminer_1	Alive	17	2	2	0	0	0	0	0	0	0	0	0	0
Total					89		575	0	11,445	1	0	1	2,079	0		
HW	228							Infinity%	1.9921%							

Chain#	ASIC#	Frequency	KSol/S(RT)	HW	Temp(PCB)	Temp(Chip)	ASIC status
1	3	724	41.94	136	55	76	ooo
2	3	731	48.65	2	56	80	ooo
3	3	710	43.74	90	56	77	ooo

Fan#	Fan1	Fan2
Speed (r/min)	5,400	5,400



Note: The Z11 server is with automatic frequency adjustment. Firmware will stop running when the Temp(PCB) reaches to 80°C, there will be an error message "Fatal Error: Temperature is too high!" shown in the bottom of kernel log page.

2. monitor your server according to the descriptions in the following table:

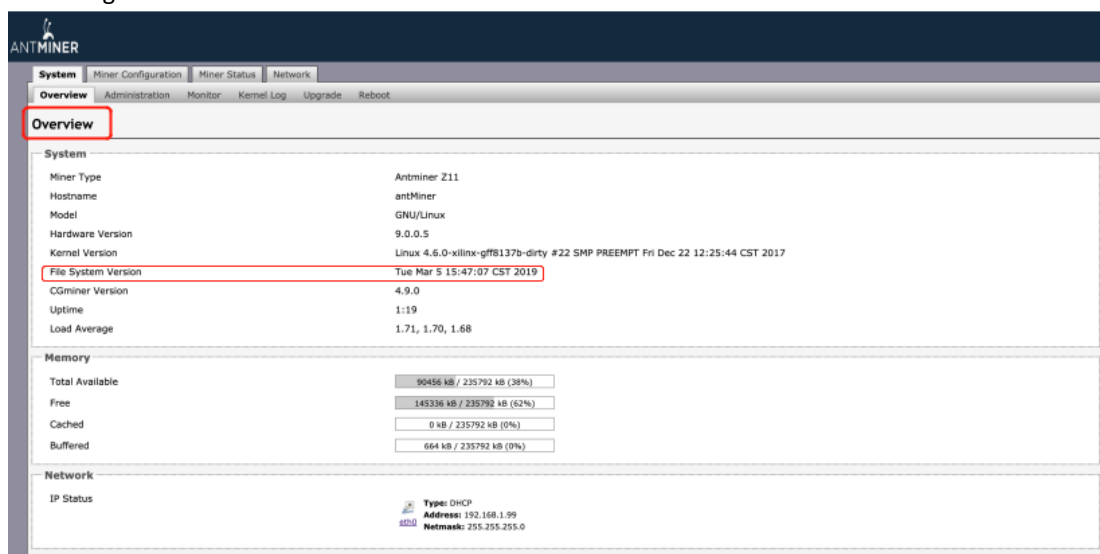
Option	Description
ASIC#	Number of chips detected in the chain.
Frequency	ASIC frequency setting.
GH/S(RT)	Hash rate of each hash board (GH/s)
Temp(PCB)	Temperature of each hash board (°C).(Applied only to server with fixed frequency)
Temp(Chip)	Temperature of the chips on each hash board (°C).
ASIC status	One of the following statuses will appear: <ul style="list-style-type: none"> ● O - indicates OK ● X - indicates error ● - - indicates dead

5. Administering Your Server

5.1 Checking Your Firmware Version

To check your firmware version:

1. In **System**, click the **Overview** tab.
2. **File System Version** displays the date of the firmware your server use. In the example below, the server is using firmware version 20190305.



The screenshot shows the Antminer Z11 System Overview page. The 'Overview' tab is selected. The 'File System Version' is highlighted with a red box, showing 'Tue Mar 5 15:47:07 CST 2019'. Other system information includes Miner Type (Antminer Z11), Hostname (antMiner), Model (GNU/Linux), Hardware Version (9.0.0.5), Kernel Version (Linux 4.6.0-xilinx-gff8137b-dirty #22 SMP PREEMPT Fri Dec 22 12:25:44 CST 2017), CGMiner Version (4.9.0), Uptime (1:19), and Load Average (1.71, 1.70, 1.68). Memory usage is shown as 90456 kB / 235792 kB (38%) total available, with 145336 kB (62%) free. Network status shows IP Status (Type: DHCP, Address: 192.168.1.99, Netmask: 255.255.255.0).

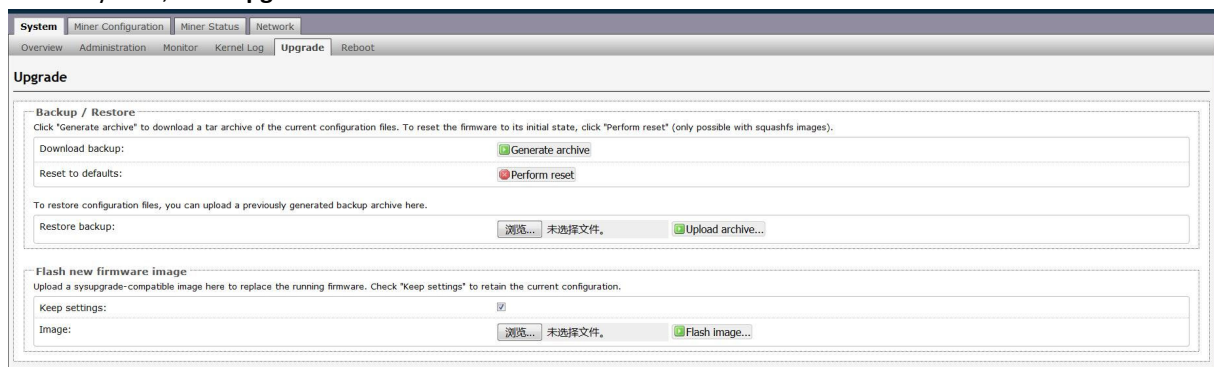
5.2 Upgrading Your System



Make sure that the Z11 server remains powered during the upgrade process. If power fails before the upgrade is completed, you will need to return it to Bitmain for repair.

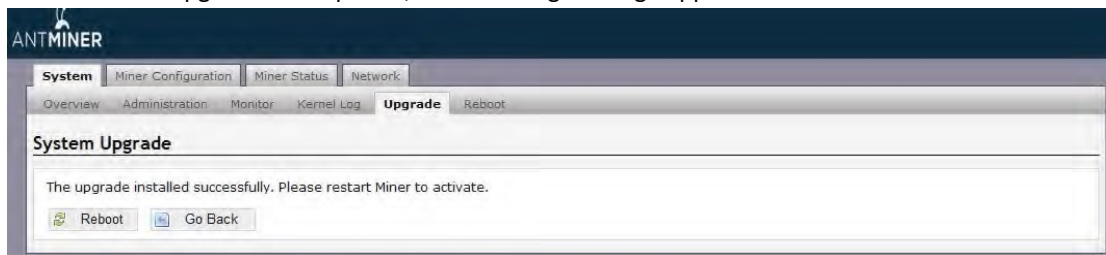
To upgrade the server's firmware:

1. In **System**, click **Upgrade**.



The screenshot shows the Antminer Z11 System Upgrade page. The 'Upgrade' tab is selected. The page is divided into two main sections: 'Backup / Restore' and 'Flash new firmware image'. In the 'Backup / Restore' section, there are buttons for 'Generate archive' and 'Perform reset'. In the 'Flash new firmware image' section, there is a checkbox for 'Keep settings' and a 'Flash image...' button.

2. For **Keep Settings**:
 - Select the check box to keep your current settings (default).
 - Clear the check box to reset the server to default settings.
3. Click the **选择文件 (Browse)** button and navigate to the upgrade file. Select the upgrade file, then click **Flash image**. A message appears notifying you if the Z11 firmware can be upgraded and if yes, will then proceed to flash the image.
4. When the upgrade is completed, the following message appears:

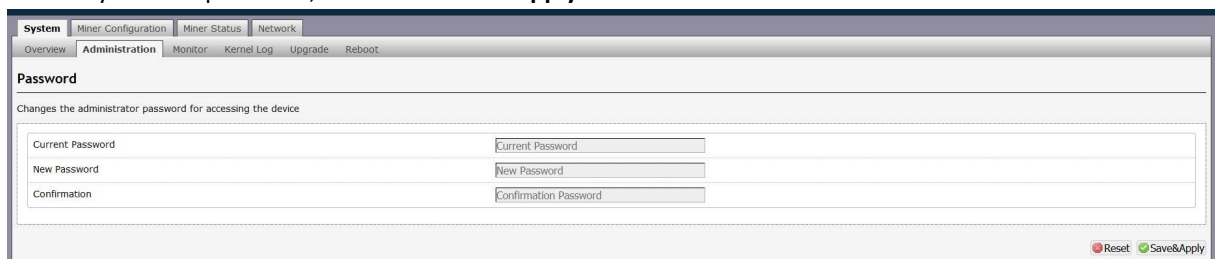


5. Click one of the following options:
 - **Reboot** - to restart the server with the new firmware.
 - **Go Back** - to continue mining with the current firmware. The server will load the new firmware next time it is restarted.

5.3 Modifying Your Password

To change your login password:

1. In **System**, click the **Administration** tab.
2. Set your new password, then click **Save & Apply**.



5.4 Restoring Initial Settings

To restore your initial settings

1. Turn on the server and let it run for 5 minutes.
2. On the controller front panel, press and hold the **Reset** button for 10 seconds.



Resetting your server will reboot it and restore its default settings. The red LED will automatically flash once every 15 seconds if the reset is operated successfully.

Regulations:

FCC Notice (FOR FCC CERTIFIED MODELS):

This device complies with part 15 of the FCC Rules. Operation is subject to the following two conditions: (1) This device may not cause harmful interference, and (2) this device must accept any interference received, including interference that may cause undesired operation.

Note:

This equipment has been tested and found to comply with the limits for a Class A digital device, pursuant to part 15 of the FCC Rules. These limits are designed to provide reasonable protection against harmful interference when the equipment is operated in a commercial environment. This equipment generates, uses, and can radiate radio frequency energy and, if not installed and used in accordance with the instruction manual, may cause harmful interference to radio communications. Operation of this equipment in a residential area is likely to cause harmful interference in which case the user will be required to correct the interference at his own expense.

EU WEEE: Disposal of Waste Equipment by Users in Private Household in the European Union



This symbol on the product or on its packaging indicates that this product must not be disposed of with your other household waste. Instead, it is your responsibility to dispose of your waste equipment by handing it over to a designated collection point for the recycling of waste electrical and electronic equipment. The separate collection and recycling of your waste equipment at the time of disposal will help to conserve natural resources and ensure that it is recycled in a manner that protects human health and the environment. For more information

about where you can drop off your waste equipment for recycling, please contact your local city office, your household waste disposal service or the shop where you purchased the product.

台灣 ROHS:

設備名稱: Z11 服務器, 型號: 240-Z

單元	有害物質					
	鉛 (Pb)	汞 (Hg)	鎘 (Cd)	六價鉻 (Cr+6)	多溴聯苯 (PBB)	多溴二苯醚 (PBDE)
外殼	○	○	○	○	○	○
電路板組件	—	○	○	○	○	○
其他線材	—	○	○	○	○	○

備考 1. “超出 0.1 wt %” 及 “超出 0.01 wt %” 係指限用物質之百分比含量超出百分比含量基準值。
 備考 2. “○” 係指該項限用物質之百分比含量未超出百分比含量基準值。
 備考 3. “—” 係指該項限用物質為排除項目